

iFace880

Multi-Biometric Time Attendance and Access Control Terminal



iFace880 facial multi-biometric time & attendance and access control terminal supports up to 3,000 face templates, 2,000 fingerprint templates and 10,000 cards (optional).

With ZKTeco latest hardware platform and algorithm, it offers brand new UI and user-friendly operation interface to provide smooth user experience.

With advanced face algorithm and multi-biometric verification technology, the terminal's security level of verification is significantly enhanced.

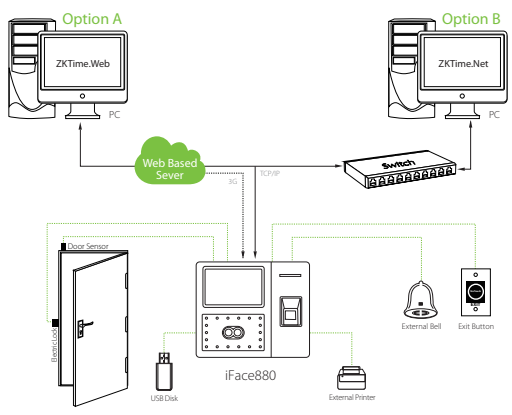
Features

- 3,000 face and 2,000 fingerprint templates
- Multi-language
- High verification speed
- Advanced and user-friendly UI
- Optional built-in battery backup, providing approximately 4 hours of continuous operation
- New Framework firmware, easy to extend functions and customize client's requirements
- One face template is registered for one user only
- Able to detect whether the face is an actual face or a photo, enhancing the security level of verification

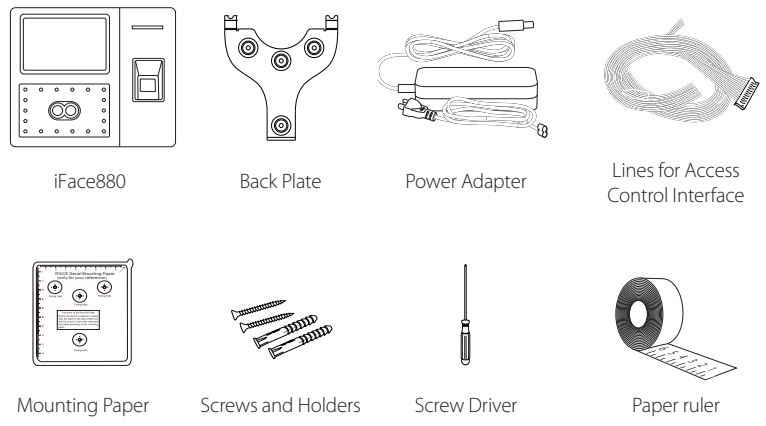
Specifications

Display	4.3-Inch Touch Screen
Face capacity	3,000 (1:N)
Fingerprint capacity	2,000
ID Card capacity	10,000(optional)
Logs capacity	100,000
Communication	TCP/IP, USB Host
Standard Functions	Automatic Status Switch, Self-Service Query, Work Code, SMS, DST, T9 Input, 9 Digit User ID, Scheduled Bell, Photo ID
Optional Functions	MiFare Card, 3G, Wi-Fi, ADMS, 2000 mAh Backup Battery
Power Supply	12V 3A
Operating Temperature	0 °C- 45 °C
Operating Humidity	20%-80%
Dimensions(Length*Width*Thickness)	193.6 × 165 × 111mm
Package Weight(KG)	1.87

Configuration



What's in the Box



ZKTeco Middle East
 www.zkteco.me
 E-mail: sales@zkteco.me

© Copyright 2016. ZKTeco Inc. ZKTeco Logo is a registered trademark of ZKTeco or a related company. All other product and company names mentioned are used for identification purposes only and may be the trademarks of their respective owners. All specifications are subject to change without notice. All rights reserved.

